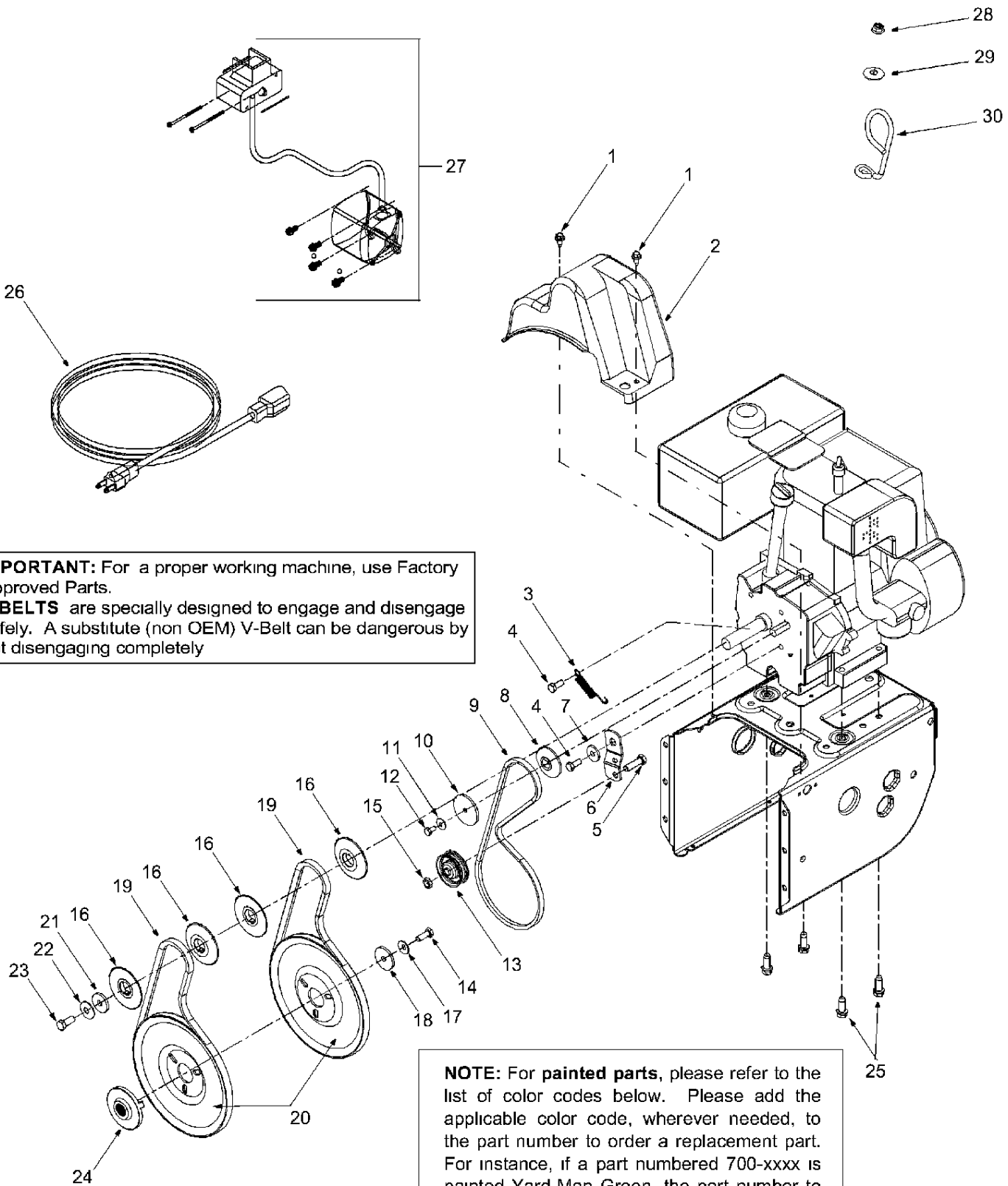


NOTE: For painted parts, please refer to the list of color codes below. Please add the applicable color code, wherever needed, to the part number to order a replacement part. For instance, if a part numbered 700-xxxx is painted Yard-Man Green, the part number to order would be 700-xxxx-0665.

Yard-Man Green: 0665
 Yard-Man Yellow: 0674
 Powder Black: 0637

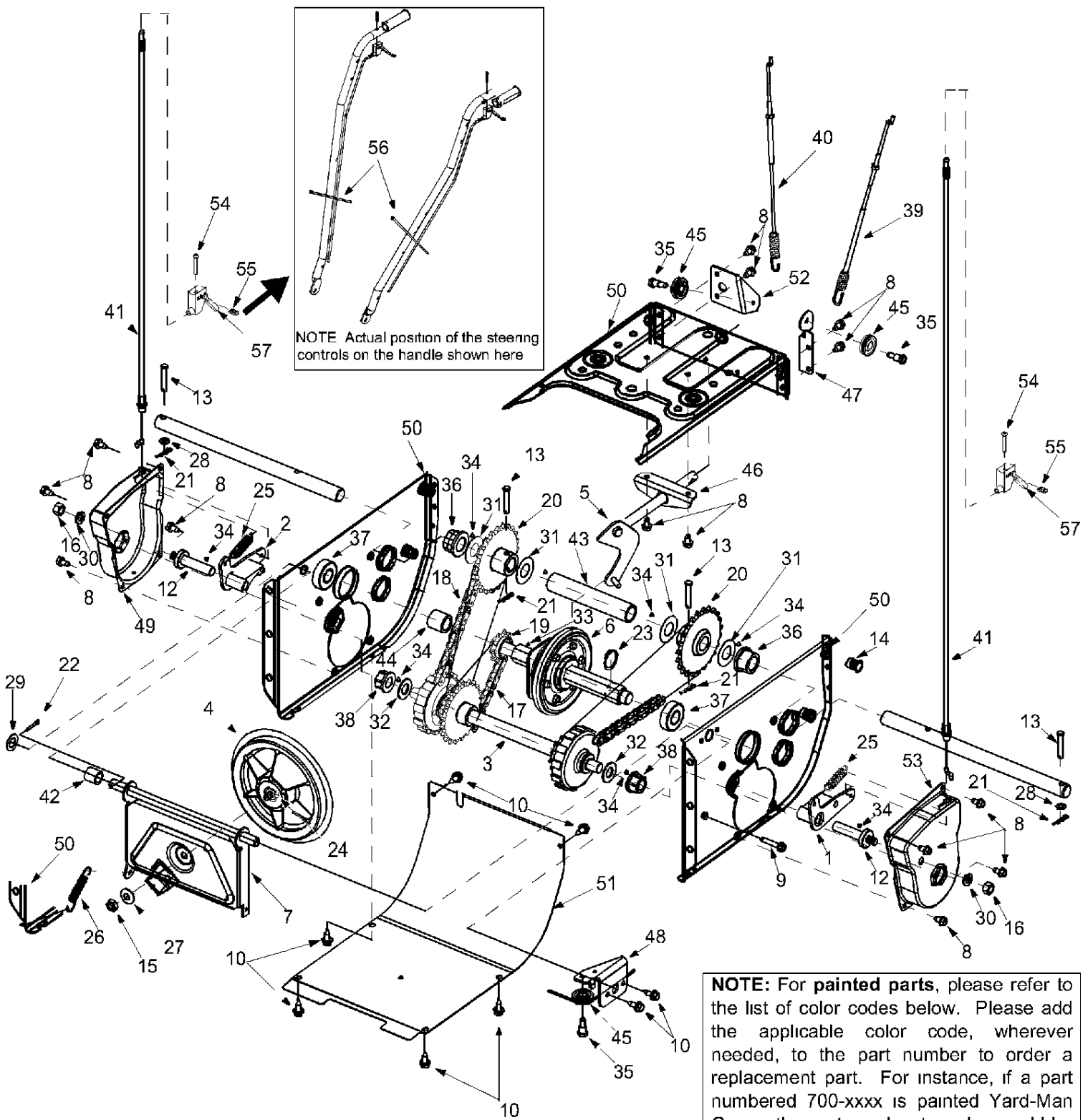
Ref #	Part Number	Qty	Description
1	712-0116		Lock Jam Nut 3/8-24
2	756-0178		Flat Idler
3	31AH53G401 (2001)		Auger Idler Arm
4	784-5632A Blower Housing		Hex Cap Screw 3/8-24 x 1.50
5	710-0459A		Shoulder Screw
6	738-0281		Flat Washer
7	732-0611		Extension Spring
8	712-3068		Hex Nut 5/16-18
9	710-0276		Carriage Bolt, 5/16-18 x 1.00
10	736-0119		Lock Washer 5/16
11	05931A		Housing
12	741-0309		Ball Bearing
13	710-0451		Carriage Bolt, 5/16-18 x .75
14	705-5226		Chute Reinforcement
15	684-0041C		28" Housing Assy
16	712-3010		Hex Nut 5/16-18
17	712-0429		Lock Nut 5/16-18
18	736-0242		Belleville Washer
20	737-0318		Grease Fitting
21	731-1379B		Chute Adapter
22	712-0324		Hex Lock Nut 1/4-20
23	736-0463		Flat Washer
24	784-0399		Bearing Housing w/Fitting
25	710-0703		Carriage Screw 1/4-20 x .75
26	710-0604		Hex Screw 5/16-18
27	736-0169		Lock Washer 3/8
28	712-0798		Hex Nut 3/8-16
29	741-0245		Hex Flange Bearing
30	784-5580		Skid Shoe
31	736-0242		Bell Washer
32	712-3010		Hex Nut 5/16-18
33	784-5582A		28" Shave Plate
34	710-0260		Carriage Bolt 5/16-18 x .62
35	684-0065		Impeller Assembly
36	715-0114		Pin
37	618-0122A		28" Gear Assy
38	605-5196A		28" Spiral RH
39	736-0188		Flat Washer
40	741-0493A		Flange Bushing
41	605-5197A		28" Spiral LH
42	710-0890A		Shear Bolt 5/16-18 x 1.5



IMPORTANT: For a proper working machine, use Factory Approved Parts.
V-BELTS are specially designed to engage and disengage safely. A substitute (non OEM) V-Belt can be dangerous by not disengaging completely

NOTE: For painted parts, please refer to the list of color codes below. Please add the applicable color code, wherever needed, to the part number to order a replacement part. For instance, if a part numbered 700-xxxx is painted Yard-Man Green, the part number to order would be 700-xxxx-0665.
 Yard-Man Green: 0665
 Yard-Man Yellow: 0674
 Powder Black: 0637

Ref #	Part Number	Qty	Description
1	710-1652		Hex Washer Screw 1/4-20 x .625
2	731-1324		Belt Cover
3	731-1324		Extension Spring
3	732-0710		Engine And V-Belts
4	710-0627		Hex Screw 5/16-24 x .75
5	710-3005		Hex Cap Screw 3/8-16 x 1.25
6	05896A		Drive Clutch Idler Bracket
7	748-0234		Shoulder Spacer
8	756-0987		Pulley Half
9	754-0346		V-Belt Half
10	756-0986		Pulley
11	736-0270		Bell Washer
12	710-0230		Hex Cap Screw 1/4-28 x .50
13	756-0313		Flat Idler
14	710-1245		Lock Hex Cap Screw 5/16-24
15	712-0181		Lock Jam Nut 3/8-16
16	756-0569		Pulley Half
17	736-0242		Bell Washer
18	736-0505		Flat Washer
19	754-0430A		Belt
20	756-0967		Auger Pulley
21	736-0247		Flat Washer 3/8 x 1.25 OD
22	736-0331		Bell Washer
23	710-0696		Hex Cap Screw 3/8-24
24	748-0360		Adapter Pulley
25	710-0654A		Hex Screw 3/8-16 x 1.0
26	629-0071		Extension Cord
27	OEM-390-987		Electric Start Kit
28	712-0324		Lock Nut, 1/4-20
29	736-0173		Flat Washer, .28 x .74 x .063
30	732-0705		Cable Guide



56

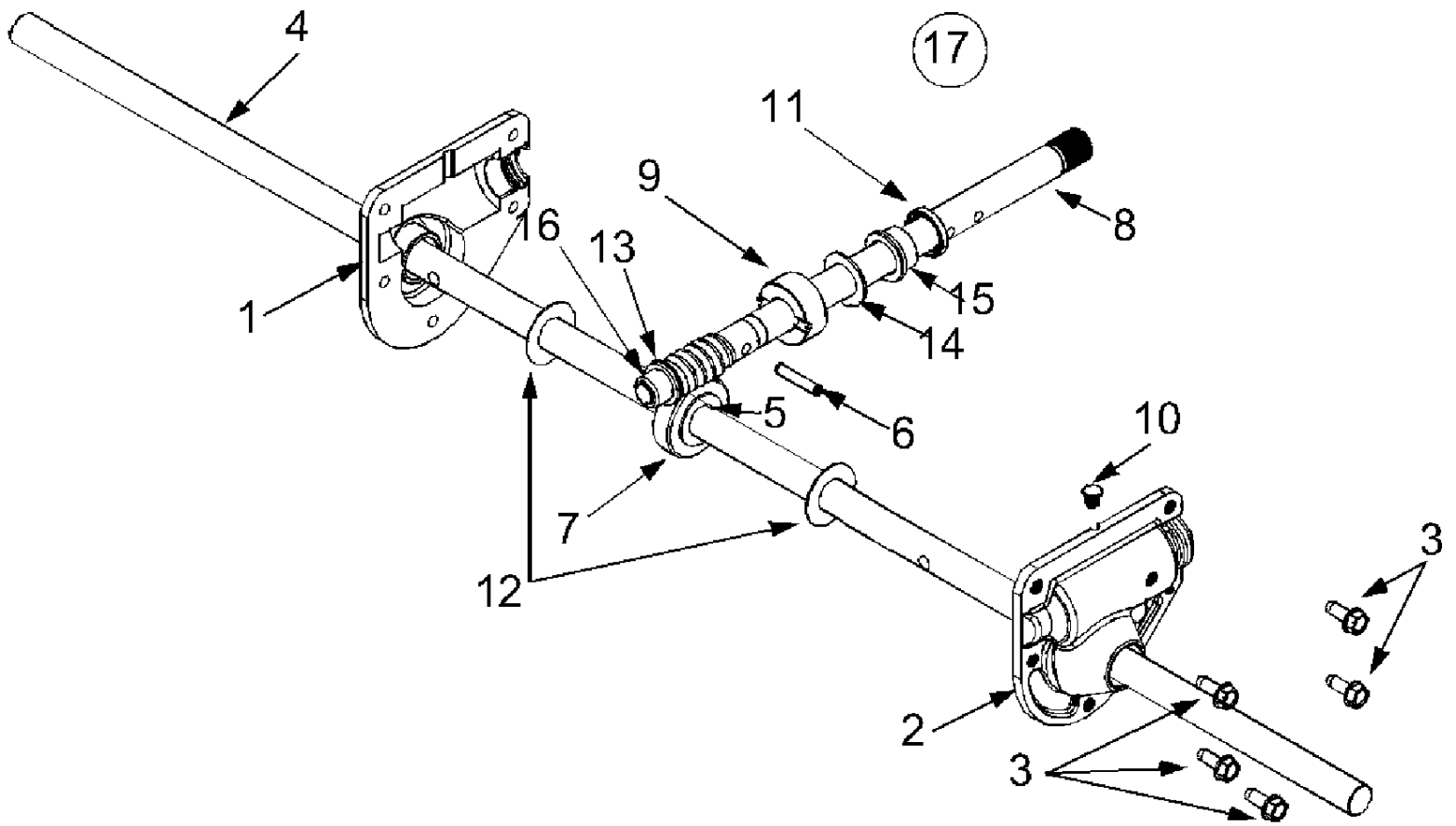
NOTE: Actual position of the steering controls on the handle shown here

NOTE: For painted parts, please refer to the list of color codes below. Please add the applicable color code, wherever needed, to the part number to order a replacement part. For instance, if a part numbered 700-xxxx is painted Yard-Man Green, the part number to order would be 700-xxxx-0665.

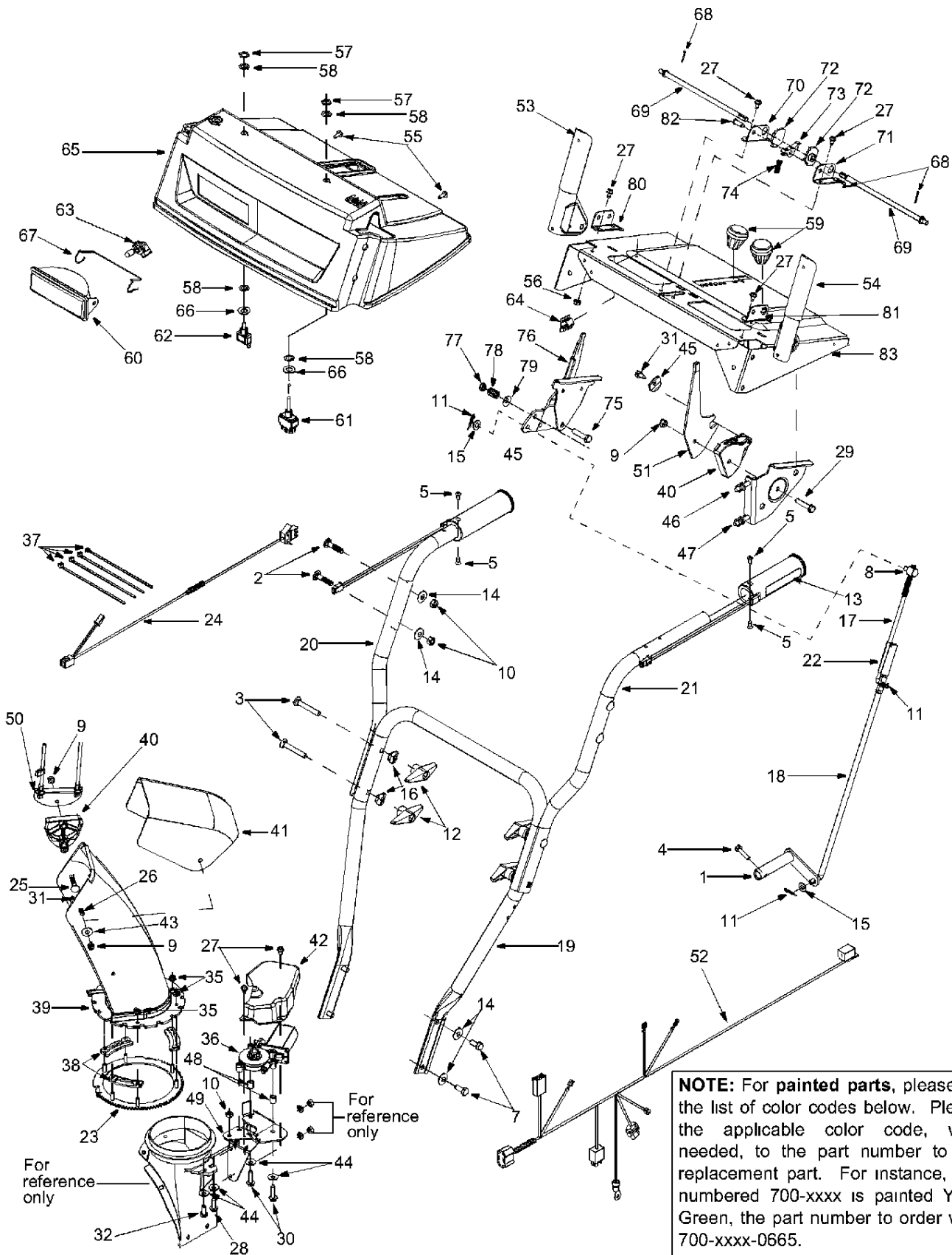
Yard-Man Green: 0665
 Yard-Man Yellow: 0674
 Powder Black: 0637

Ref #	Part Number	Qty	Description
1	618-0043		Dogg Assembly: RH
2	618-0044		Dogg Assembly: LH
3	618-0303B		Drive Shaft Assembly
4	656-0012A		Friction Wheel: Disc Assembly
5	684-0014B		Shift Rod Assembly
6	684-0042C		Bearing: Friction Wheel
7	684-0131A		Support Bracket: Friction Wheel
8	710-0599		TT Screw: 1/4-20 x 0.5"
9	710--0809		TT Screw: 1/4-20 x 1.25"
10	710-1652		TT Screw: 1/4-20 x 0.625"
11	711-1267		Hex Shaft
12	711-1268		Drive Shaft: Actr.
13	711-1364		Clevis Pin
14	712-0703		Nut Insert
15	712-0711		Jam Nut
16	712-3017		Jam Nut
17	713-0233		Chain
18	713-0374		Chain
19	713-0413		Sprocket: 10T
20	713-0472		Sprocket: 23T
21	714-0104		Hairpin Clip
22	714-0474		Cotter Pin
23	716-0102		Snap Ring
24	721-0263		Loctite TM Adhesive
25	732-0209		Extension Spring
26	732-0264		Extension Spring
27	736-0105		Spring Washer
28	736-0142		Flat Washer
29	736-0160		Flat Washer
30	736-0169		Lock Washer
31	736-0351		Flat Washer
32	736-0626		Flat Washer
33	737-0170		6-in-1 Lubricant
34	737-0318		Grease
35	738-0924		Carriage Screw
36	741-0598		Hex Flange Bearing
37	741-0600		Ball Bearing
38	741-1111		Hex Flange Bearing
39	746-0897		Auger Clutch Cable
40	746-0898		Drive Clutch Cable
41	746-0956		Steering Cable
42	748-0190		Spacer
43	750-1161A		Support Tube: Axle
44	750-1162		Spacer
45	756-0625		Roller: Cable
46	784-5590		Shift Bracket: Frame
47	784-5687A		Cable Guide Bracket: Auger
48	784-5689A		Front Support Bracket: Auger Clutch Cable Guide
49	784-5730A		Drive Shaft Retainer RH
50	784-5731A		Frame Housing
51	784-5732		Frame Cover
52	784-5733		Bracket: Drive Cable Roller
53	784-5740		Drive Shaft Retainer LH
54	710-1233		Oval C-Sunk Screw

Ref #	Part Number	Qty	Description
55	712-0127		Weld Nut
56	725-0157		Cable Tie
57	31A1953G401 (2001)		Steering Control
	746-0950		Frame Assembly



Ref #	Part Number	Qty	Description
1	618-0123		RH Housing
2	618-0118		LH Housing w/Fitting
3	31AH53G401 (2001)		Self Tapping Screw, 1/4-20 x .75
4	710-0642 Gear Assembly		Spiral Axle, 28"
5	711-0901A		Hi-Pro Key, 3/16 x 5/8
6	714-0161		Spring Spiral Pin, .25 x 1.25
7	715-0143		Worm Gear, 20-tooth
8	717-0528		Worm Shaft
9	717-0526		Thrust Collar
10	718-0186		Grease Plug
11	721-0325		Grease Seal
12	721-0327		Grease Seal
13	736-0351		Flat Washer, .76 x 1.5 x .030
14	736-0369		Flat Washer, .508 x 1.0 x .020
15	736-0445		Flat Washer, .76 x 1.5 x .060
16	741-0662		Flange Bearing, .75 x 1.0 x .59
17	741-0663		Flange Bearing, .503 ID x .75 OD
17	618-0122A		Gear Assembly 28"

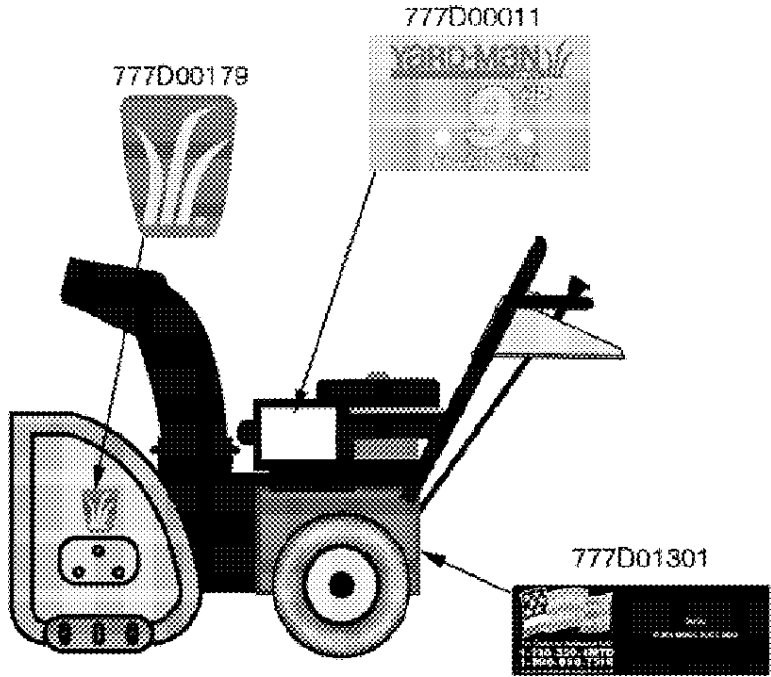
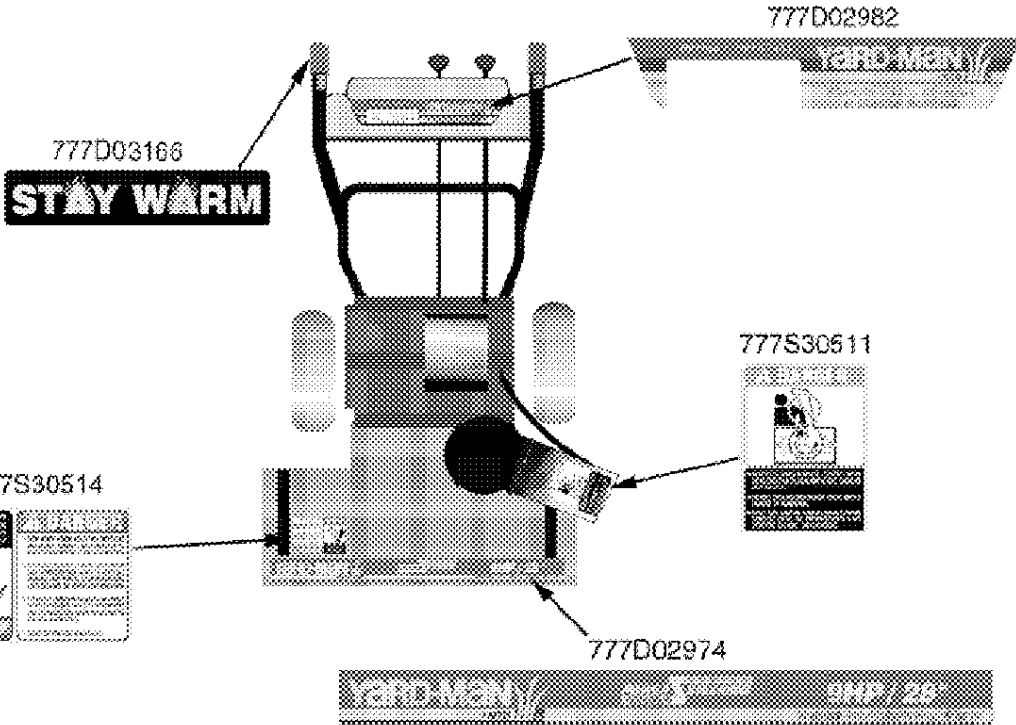
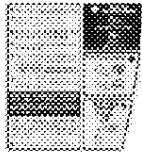
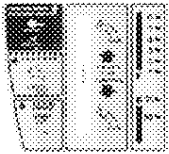
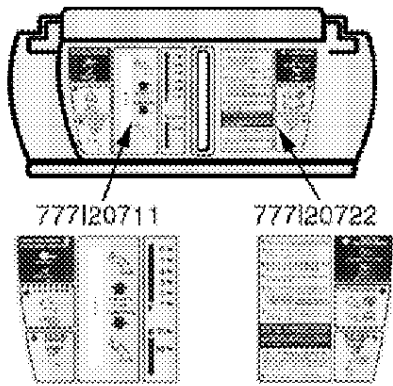


NOTE: For painted parts, please refer to the list of color codes below. Please add the applicable color code, wherever needed, to the part number to order a replacement part. For instance, if a part numbered 700-xxxx is painted Yard-Man Green, the part number to order would be 700-xxxx-0665.

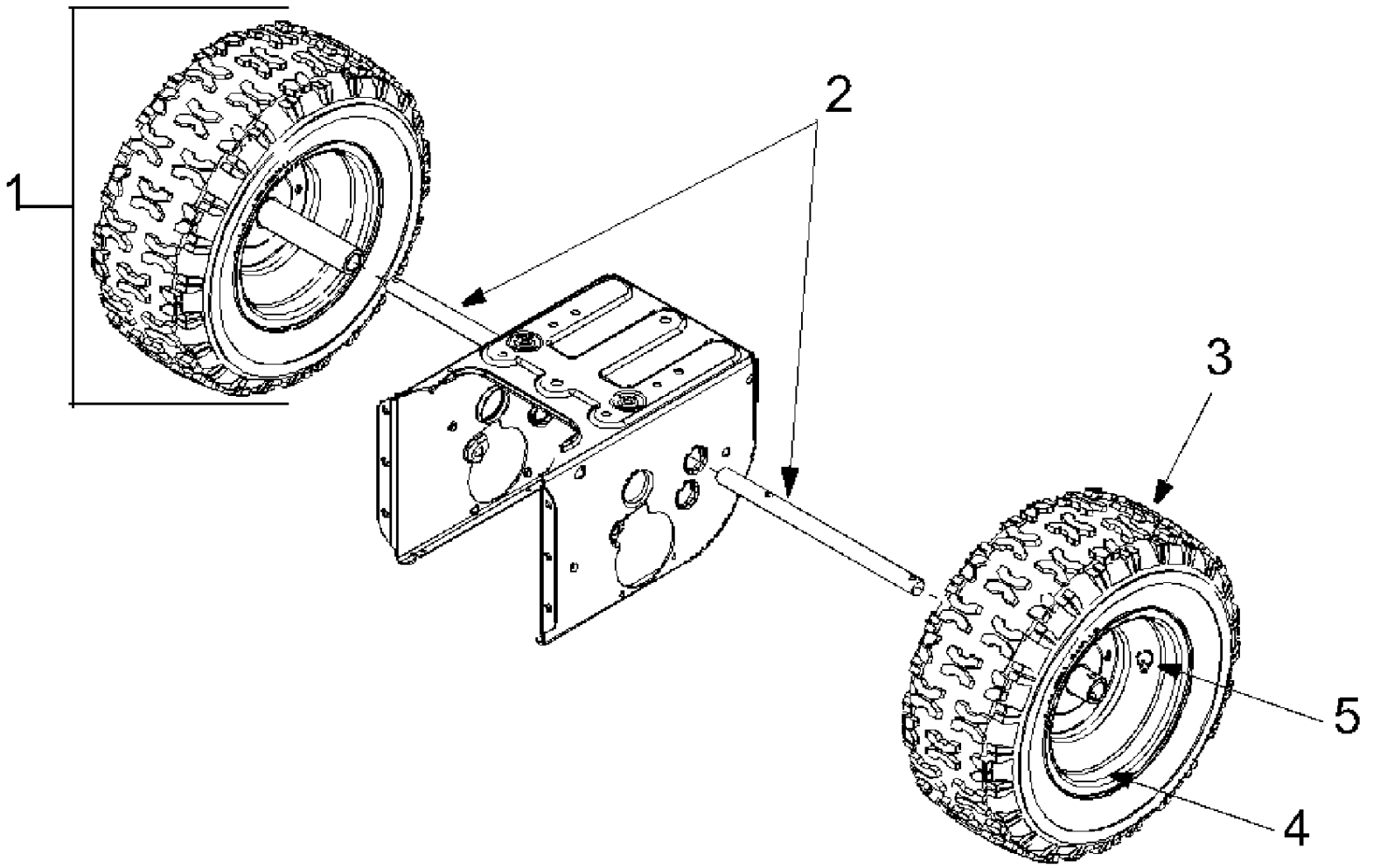
Yard-Man Green: 0665
 Yard-Man Yellow: 0674
 Powder Black: 0637

Ref #	Part Number	Qty	Description
1	684-0008A		Shift Arm Assembly
2	710-0262		Carriage Bolt 5/16-18 x 1.5"
3	710-0449		Carriage Bolt 5/16-18 x 2.25"
4	710-0788		TT Screw 1/4-20 x 1"
5	710-0837		C-Sunk Screw #10-16x 0.625"
7	710-3008		Hex Screw 5/16-18 x .75"
8	711-0677		Ferrule
9			UNKNOWN
10	712-3010		Hex Nut 5/16-18
11	714-0104		Cotter Pin
12	720-0284		Handle Knob
13	725-1757		Heated Grip
14	736-0119		Lock Washer
15	736-0275		Flat Washer
16	736-0451		Saddle Washer
17	747-0620A		Shift Rod: Upper
18	747-0621		Shift Rod: Lower
19	749-0951		Lower Handle
20	749-0952A		Upper Handle: L Style RH
21	749-0953A		Upper Handle: L Style LH
22	750-0963		Connector: Shift Rod
23	618-0419		Gear Assembly: Ring
24	629-0937		Electric Harness: Lower
25	710-0262		Carriage Bolt: 5/16-18 x 1.5"
26	710-0451		Carriage Bolt: 5/16-18 x .750"
27	710-0599		TT Screw: 1/4-20 x 0.5"
28	710-0602		TT Screw: 5/16-18 x 1"
29	710-0805		Hex Screw: 5/16-18 x 1.5"
30	710-0817		TT Screw: 5/16-18 x 1.25"
31	710-0896		Hex Screw AB:1/4-14 x 0.625"
32	710-3008		Hex Screw: 5/16-18 x .75"
35	712-3027		Hex Flange Lock Nut
36	724-0249		Electric Motor: Chute Crank
37	725-0157		Cable Tie
38	731-0851A		Chute Flange Keeper
39	731-1300A		Lower Chute
40	731-1313C		Cable Guide: Chute Tilt
41	731-1320		Upper Chute
42	731-2279		Motor Cover: Chute Rotation
43	736-0159		5/16 Washer
44	736-0242		Belleville Washer
45	736-0506		Special Washer
46	746-0896		Control Cable
47	746-0901		Control Cable
48	750-1232		Spacer
49	782-0599		Motor Bracket
50	784-5594		Cable Bracket
51	784-5604		Handle: Chute Tilt
52	629-0936		Harness Assembly: Upper
53	684-0036		Handle Eng. Assembly RH
54	684-0037A		Handle Eng. Assembly LH
55	710-1003		Special Hex Screw
56	712-0271		Hex Sems Nut: 1/4-20
57	712-0693		Hex Nut

Ref #	Part Number	Qty	Description
58	716-0398		Lock Ring: Toggle Switch
59	720-0232		Shift Knob
60	31AH53G401 (2001)		Lamp Housing
61	725-1752		Handle Assembly And Chute
61	725-1755		Toggle Switch: Double Throw
62	725-1756		Toggle Switch: Single Throw
63	725-1759		Halogen Lamp: 50W, 12V
64	726-0152		Mounting Clamp
65	731-2275		Handle Panel
66	736-0226		Flat Washer
67	747-1136		Headlight Retainer
68	714-0507		Cotter Pin: 3/32 x .75
69	747-0877		Cam Rod
70	784-5680		RH Handle Support Bracket
71	784-5679		LH Handle Support Bracket
72	748-0362		Cam Handle Lock
73	748-0363		Handle Lock Pawl
74	732-0145		Compression Spring: .36 x 1.0
75	710-0459A		Hex Cap Screw: 3/8-24 x 1.5
76	784-5619A		Shift Handle
77	712-0116		Jam Nut, 3/8-24
78	732-0193		Comp. Spring: .39 x .6 x .88
79	736-0105		Bell Washer
80	784-5682		RH Handle Support Bracket
81	784-5681		LH Handle Support Bracket
82	711-0653		Clevis Pin
83	684-0102		Panel Frame Assembly



Ref #	Part Number	Qty	Description
777I20711	777I20711		Label
777I20722	777I20722		Label
777D03166	31A1553G401 (2001)		Label
777D02982	777D02982		Label
777S30514	777S30514		Label
777S30511	777S30511		Label
777D02974	777D02974		Label
777D00179	777D00179		Label
777D00011	777D00011		Label
777D01301	777D01301		Label



Ref #	Part Number	Qty	Description
1	734-1709		Wheel Assy Comp: 16.5" x 4.8"
2	738-0994A		Axle: .75" dia. x 12.201" Lg. Page 16 of 16
3	31AH353G401 (2001)		Tire, Snow Hog, 16.5 x 4.8 - 4
4	734-1510		Wheels And Axle
4	734-1708		Rim Assembly
5	734-0255		Tubeless Air Valve